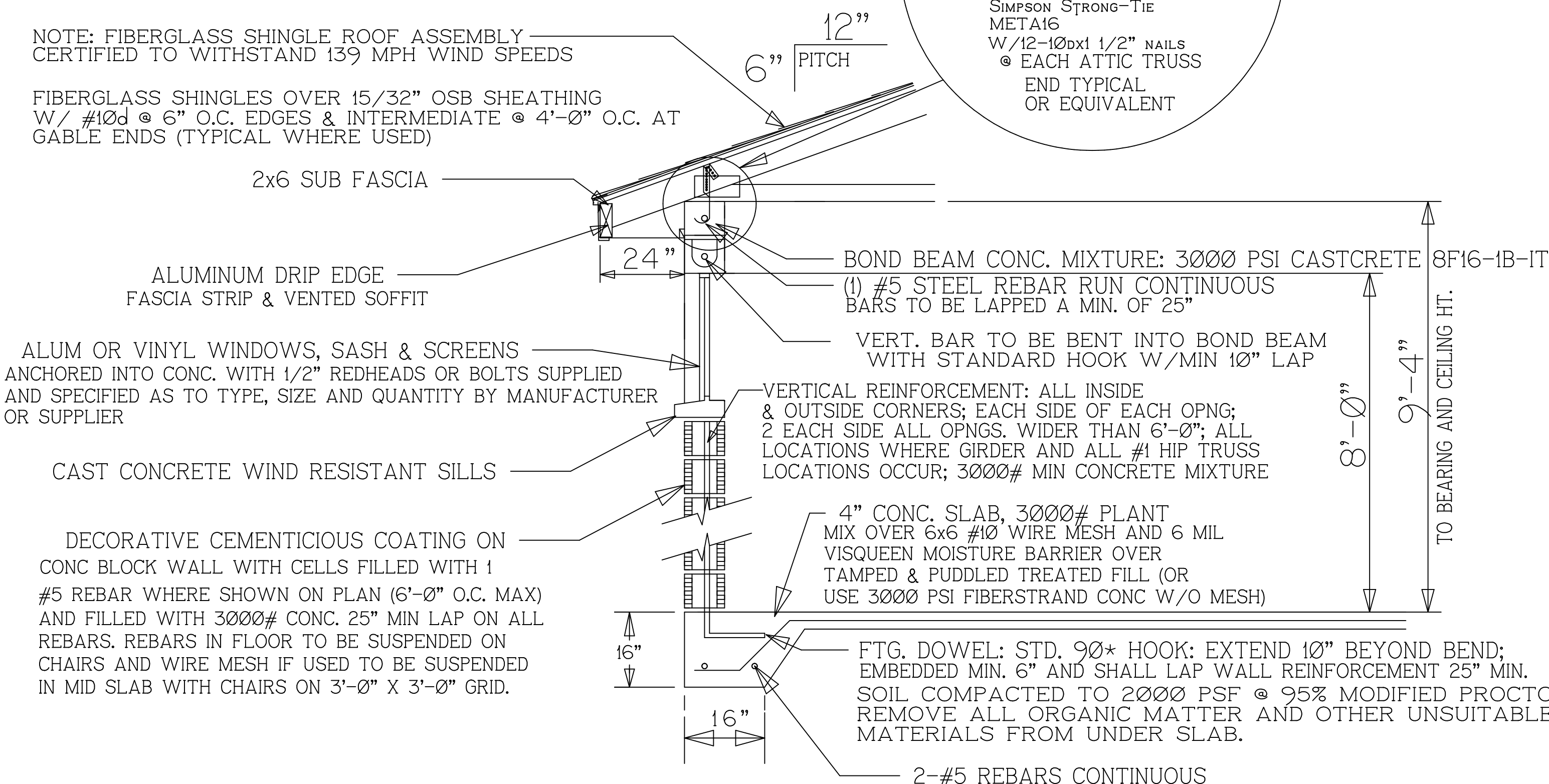


NOTE:

1. ALL EXTERIOR WALLS ACT AS SHEARWALL SEGMENTS
2. ALL OPENINGS WILL BE PROVIDED WITH A CAST-CRETE HEADER SYSTEM (TYPICAL)
3. CMU WALL CONSTRUCTION (UNLESS NOTED OTHERWISE)
4. EXTERIOR FINISHES PER OWNER AND INSTALLED PER MANUFACTURERS SPECIFICATIONS
5. ALL CONCRETE TO BE 3,000 PSI MIN.

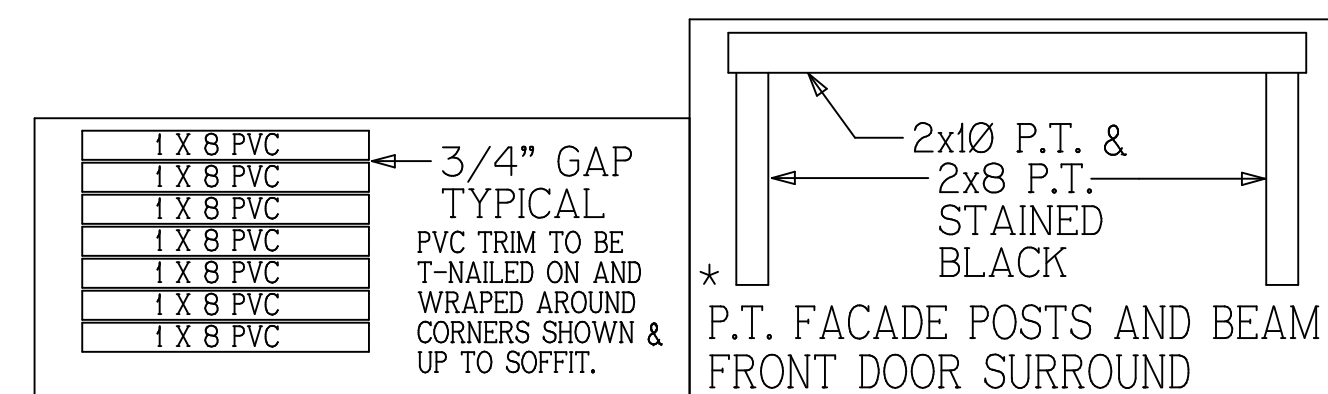
NOTE: FIBERGLASS SHINGLE ROOF ASSEMBLY CERTIFIED TO WITHSTAND 139 MPH WIND SPEEDS

FIBERGLASS SHINGLES OVER 15/32" OSB SHEATHING W/ #10d @ 6" O.C. EDGES & INTERMEDIATE @ 4'-0" O.C. AT GABLE ENDS (TYPICAL WHERE USED)



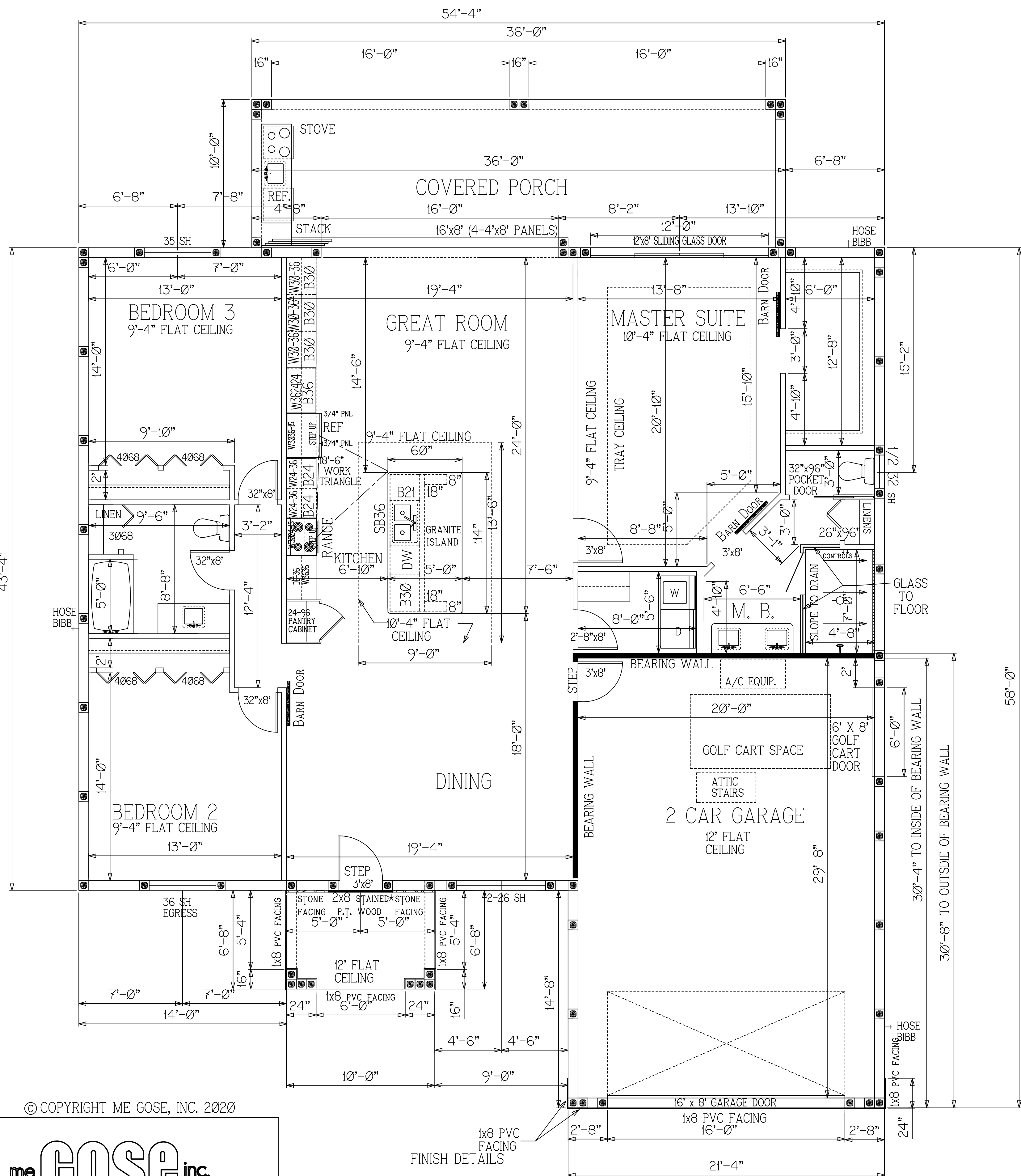
TYPICAL WALL SECTION
SCALE: N.T.S.

PROVIDE TRUSS ENGINEERING TO RICHARD A. SIVER, P.E. FOR REVIEW AND APPROVAL PRIOR TO START OF CONSTRUCTION.



FLOOR PLAN

SQUARE FOOTAGE:
LIVING = 2031
COVERED PCH. = 360
GARAGE = 636
ENTRY = 67
TOTAL = 3094



© COPYRIGHT ME GOSE, INC. 2020



STRUCTURAL DESIGN
BY: RICHARD A. SIVER
FLORIDA P. E.#65698
3037 CEDORA TERRACE
SEBRING, FL 33870
PHONE: 863-235-0239

THIS BUILDING/STRUCTURE HAS BEEN DESIGNED IN ACCORDANCE WITH THE 2017 FBC, SIXTH EDITION. STRUCTURAL DESIGN PREPARED UNDER THE RESPONSIBLE CHARGE OF RICHARD A. SIVER. P. E. RICHARD A. SIVER, P. E. HAS NOT BEEN RETAINED TO PROVIDE NOR IS HE RESPONSIBLE FOR FIELD SUPERVISION, INSPECTION, CONSTRUCTION ADMINISTRATION OR THE DESIGN OF ANY NON-STRUCTURAL ITEMS OR SYSTEMS.

THE AUGUSTA AT HIGHLANDS RIDGE GARAGE RIGHT

DRAWN SCALE: REV'D: 12-14-20

FLOOR PLAN + TYPICAL WALL SECTION

SEPT. 1, 2020

SHEET A2.00

BASIC WIND SPEED: 139 MPH (3 SEC. GUST)
(BUILDING CATEGORY II)
BUILDING OCCUPANCY CLASSIFICATION GROUP R
(RESIDENTIAL EXPOSURE CATEGORY: 'C')
WIND BORNE DEBRIS REGION: NO

COMPONENT AND CLADDING PRESSURES
+37 PSF / -50 PSF
ALL OPENINGS SHALL BE DESIGNED AND INSTALLED FOR THESE PRESSURES. -TYPICAL-

DESIGN LOADS: (ROOF)
TCLL: 20 PSF
TCDL: 7 PSF
BCDL: 10 PSF
MEAN ROOF HEIGHT: 14'-3" FT

NOTE:

- 1) DOORS MUST MEET ALL REQUIRED PRESSURES COMBINED (NEGATIVE AND POSITIVE)
- 2) MULLIONS MUST MEET 1.5 TIMES DESIGN PRESSURE
- 3) WINDOWS MUST MEET ALL REQUIRED PRESSURES COMBINED (NEGATIVE AND POSITIVE)